

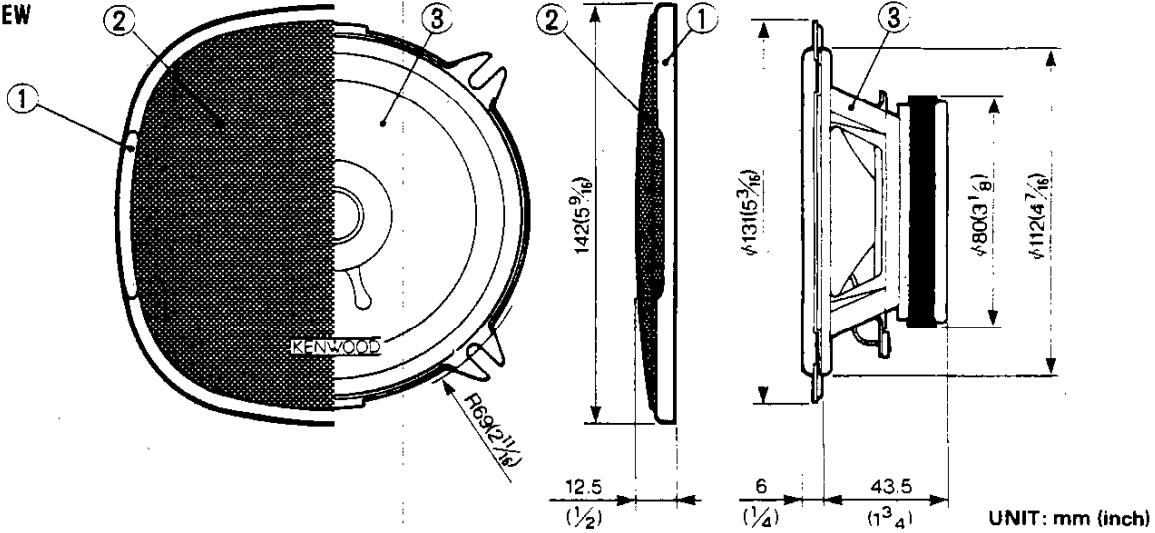
# KFC-1362

## SERVICE MANUAL




# KENWOOD

© 1988-12 PRINTED IN JAPAN  
B51-3775-00(B)2020

**EXTERNAL VIEW**



**PARTS INCLUDED**

-  4.5m(15ft)..... X2
-   $\phi 4-20(3/16-3/4)$ ..... X8
-  ..... X8

**SPECIFICATIONS**

- Speaker.....13cm(5 1/4in) Water proof treatment  
cone type
- .....167g(5.9oz) Magnet
- Peak power.....50 Watts
- Frequency Response.....60Hz - 20,000Hz
- Sensitivity.....91dB/W at 1m
- Impedance.....4 ohms
- Weight per speaker with grille.....0.60kg(1lb 5oz)/pc

We follow a policy of advancements in development.  
For this reason specifications may be changed without notice.

**PARTS LIST**

\* New parts  
Parts without **Parts No.** are not supplied.  
Les articles non mentionnés dans le **Parts No.** ne sont pas fournis.  
Teile ohne **Parts No.** werden nicht geliefert.

Ref No.	New Parts	Parts No.	Description
①	*	B06-0318-08	FRONT GRILLE
		B46-0100-10	WARRANTY CARD
	*	E30-1237-08	CORD SET
②	*	F09-0888-08	PROTECTOR
	*	N99-1088-08	SCREW SET
③	*	T07-0144-08	SPEAKER